

# BOLT

## HIGH PERFORMING FLOODLIGHT LUMINAIRE

### Housing

Diameter : 7.87" x 17.68" x 11.68" | Weight : 24.25 lbs

### Material

Housing : High Pressure Die-Cast Aluminum  
Lens : Clear Polycarbonate

### Power Input

260W | 120-277V

### Lumen Output

22,100 lm (260W) - W+RGB combined

### Dimming

DMX : High resolution dims to 0.1% (Supports ANSI E1.20 RDM protocol)

### Color Quality

CRI 85

### Rated Life

> 100,000 Hours (L70)

### Finish



Black

White

### Color Temperature



3000K

Archi-Color® W+RGB

### Optics



30°

60°

Wide

### Mounting



Bracket

### Warranty

5 Year limited warranty

### Listing



## SPECIFICATION SHEET ARCHI-COLOR® W+RGB

## Unrivalled Performance and Versatility

The Bolt series are award-winning floodlights available in a single or dual module configuration that feature cutting-edge LED technology. It delivers lumen package of up to 22,100 lm.

Hidden under the hood of this sleek and rugged form, is a new light engine that offers static white, tunable white, and Archi-Color® W+RGB dynamic color changing possibilities.



**SPECIFICATION**

PROJECT NAME

DATE

CATALOG #

QUANTITY

The product configurator function on this page works only with the latest version of Chrome or Adobe Acrobat Reader.

<b>BLT</b>	MODEL	<b>BOLT SERIES</b>		
<b>260</b>	WATTAGE	<b>260</b> 260W		
<b>308C</b>	CCT / CRI	<b>308C</b> 3000K + RGB / CRI 85 Archi-Color® W+RGB		
<b>UNV</b>	VOLTAGE	<b>UNV</b> 120 – 277V		
	DIMMING	<b>DMX</b> DMX dims to 0.1% (XLR Sockets)	<b>DMXR</b> DMX dims to 0.1% (RJ45 Sockets)	
	BEAM ANGLE	<b>30</b> 30°	<b>60</b> 60°	<b>WD</b> <sup>1</sup> Wide
	FINISH	<b>BLK</b> Black	<b>WHT</b> White	
<b>BRK</b>	MOUNTING	<b>BRK</b> Bracket		
	ACCESSORIES	<b>WG</b> <sup>2</sup> Wire Guard (IK10 Rating) <b>DF</b> <sup>5</sup> Diffuser	<b>GSB</b> <sup>3</sup> Glare Shield Baffle	<b>GSV</b> <sup>4</sup> Glare Shield Visor

CLEAR FORM

<sup>1</sup> WD option reduces delivered lumens by ~20%  
<sup>2</sup> WG option reduces delivered lumens by ~14%  
<sup>3</sup> GSB option reduces delivered lumens by ~25%  
<sup>4</sup> GSV option reduces delivered lumens by ~15%  
<sup>5</sup> DF option reduces delivered lumens by ~12% (~20% with WD)

**TECHNICAL DETAILS**

**Electrical**

- 22,100 lm (260W)
- Power Input : Universal (120-277V)
- Operating Temperature : -40°F~104°F
- Surge Protection : Built-in is 4KV

**LED Features**

- Color Temperature : 3000K + Archi-Color® W+RGB
- CRI 85
- Long lasting LED luminaire tested under TM21 lumen maintenance L70 @ 100,000 Hrs

**Optics**

- Precision molded high transmittance clear PC lens
- Beam Angle : 30°, 60°, Wide
- RGB Beam Angle : WD

**Advanced Dimming**

- Proprietary VX Driver™ is integrated across all dimming options, delivering video flicker-free performance and full compliance with IEEE 1789.
- DMX : high resolution dims to 0.1% (Supports ANSI E1.20 RDM protocol)

**Housing**

- Diameter : 7.87" x 17.68" x 11.68"
- Material : High Pressure Die-Cast Aluminum, Tempered Glass
- Weight : 24.25 lbs

**Mounting**

- Bracket with remote power box

**Warranty**

- 5-year limited warranty

**Listing**

- ETL Damp Location Listed
- CE
- UKCA
- FCC
- IK10

**PERFORMANCE SUMMARY\***

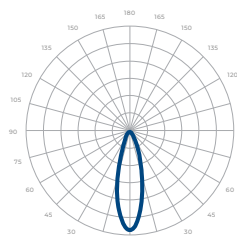
Delivered Lumens				
CCT/WATTAGE	R	G	B	W
260W	40W	40W	40W	140W
	650lm	4,450lm	1,260lm	15,740lm

\*Beam Angle: 60° \*Tolerance ±8%

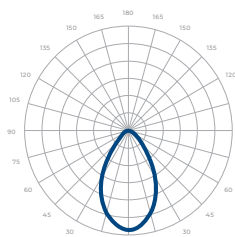
Current Consumption		
WATTAGE / VOLT	120V	277V
260W	2.39A	1.04A

## PHOTOMETRICS

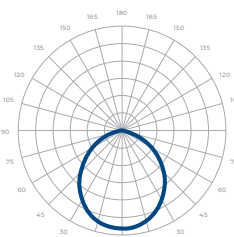
Below is a typical photometric representation of the Bolt fixture. Please download IES files to ensure exact photometric value.



30°



60°



WIDE

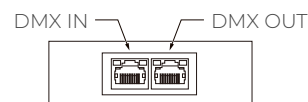
## DMX REQUIREMENTS

The Bolt Archi-Color® W+RGB fixture with DMX is a **four channel dmx** unit. When placing an order, please indicate DMX address. (The DMX address will be listed on the back of the fixture). Do not connect more than 32 fixtures per DMX daisy chain.

Fixture	DMX Address			
	Red Control (ex. X)	Green Control (ex. X+1)	Blue Control (ex. X+2)	White Control (ex. X+3)
#1	1	2	3	4
#2	5	6	7	8
#3	9	10	11	12

The fixture can be connected with RJ45 or XLR sockets. DMX cables **are not** included; please refer to compatible DMX cabling list for more information. The final fixture on each daisy chain should be terminated by the use of a DMX terminator purchased from a 3rd party or from Meteor.

CONNECTION	RJ45 (CAT5e)	5-PIN XLR
Common	WHITE/BROWN(PIN7) & BROWN (PIN 8)	PIN 1
Signal -	ORANGE (PIN 2)	PIN 2
Signal +	WHITE/ORANGE (PIN 1)	PIN 3
Spare	-	PIN 4
Spare	-	PIN 5



RJ45 Sockets



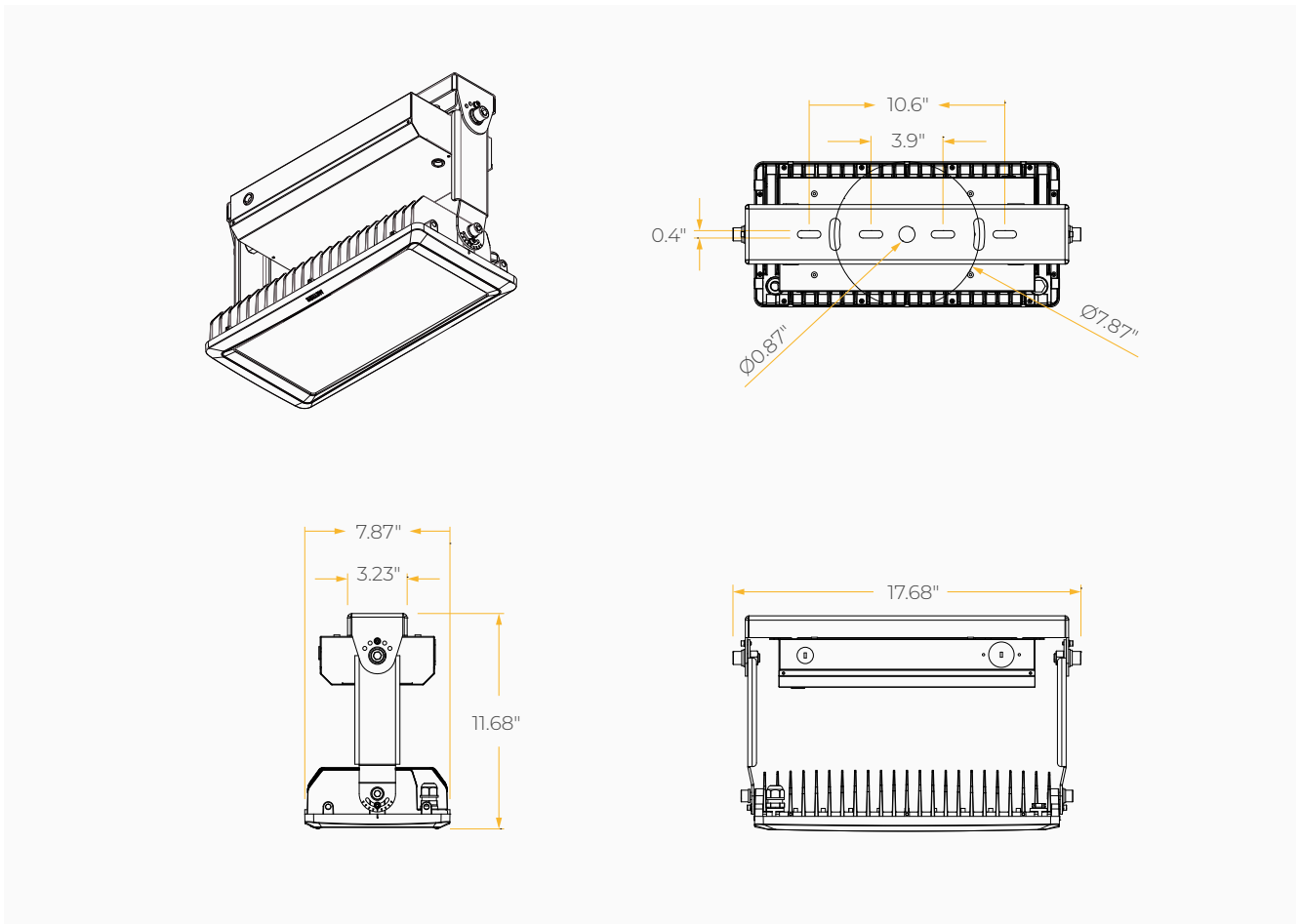
XLR Sockets

## COMPATIBLE DMX CABLING LIST

DMX uses a cable consisting of two twisted pairs plus a shield to carry data. The cable must be specifically impedance matched for the digital DMX signal, meaning that microphone cable or other non-rated cable **must not be used to carry DMX**. Network cable (Cat5, 5e or 6 cable) may be used to carry DMX in an installation; however special consideration must be given to shielding and termination. Under no circumstances should solid core cable like Cat5 be terminated into a screw down connector.

Meteor recommends the use of Belden 9729 or Belden 9841 for DMX installation. Belden 9729/9841 is a two pair cable, which allows for a spare pair for 'out and back' type terminations if needed.

**DIMENSIONS**



**ACCESSORIES**

